



Valves, Automation & Controls

# ***SERIES 86***



*INSTRUMENTATION BALL VALVE*

**SMITH-COOPER**<sup>®</sup>  
INTERNATIONAL

# Design & Features

## 3-Piece Design

In-line serviceable swing-out center section allows easy access to internal valve components without disturbing alignment of pipe.

## Tube Full Port Design (TFP)

Tube full port maintains unrestricted flow of media.

## Integral ISO Mounting Pad

Permits easy field conversion from manual operation to power actuation.

## Stem Design

Live loaded, bottom entry, blowout proof, anti-static stem, features packing that extends valve cycle life over conventional ball valves and is the best choice for actuation.

## Lockable Handle

All Sharpe Series 86 ball valves supplied with lever handles are designed to permit locking the valve in either the open or closed position.

## Encapsulated Body Bolts

Heavy duty stainless steel bolting is protected from outside environment and is ideal for wash downs.

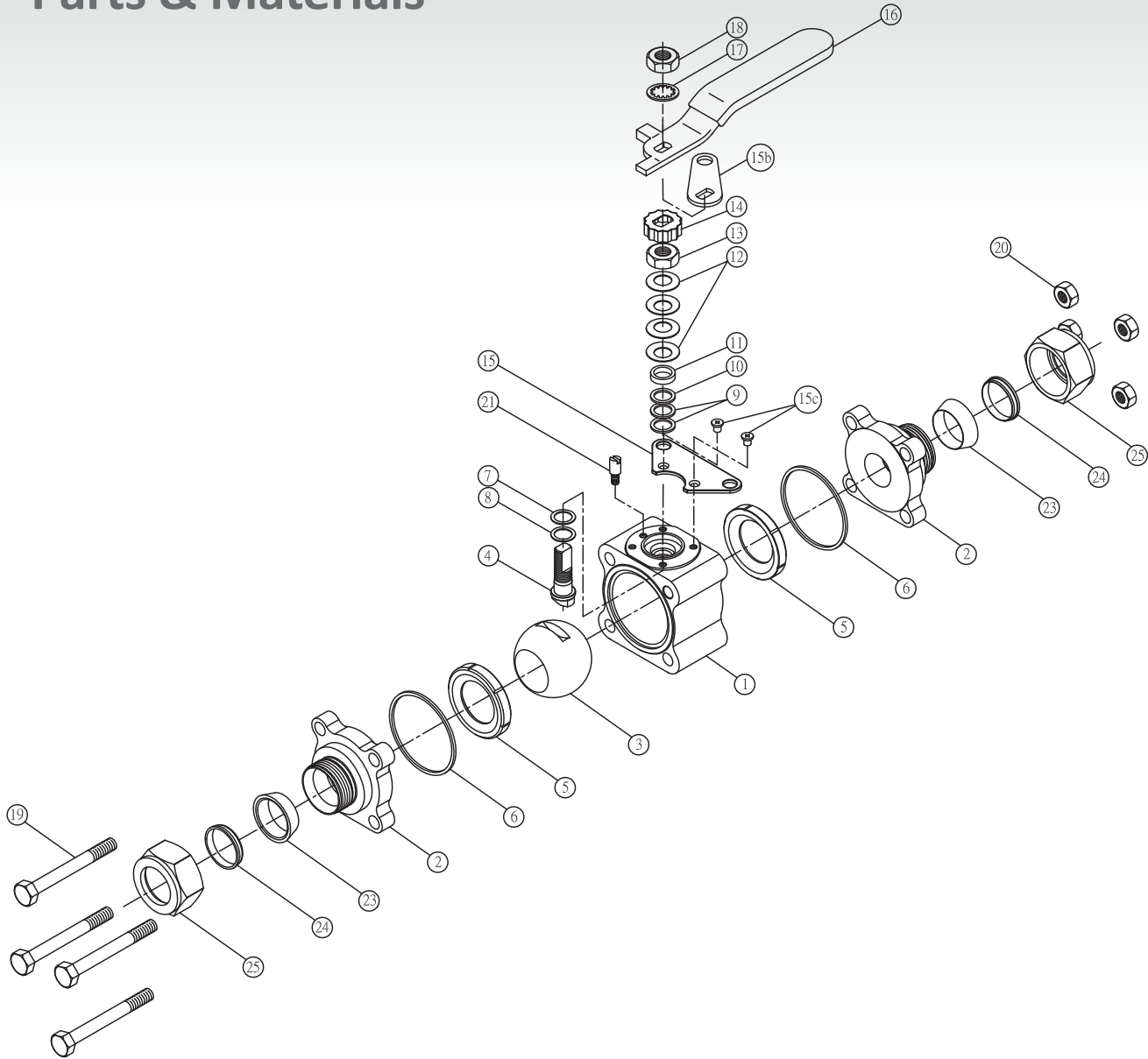
## Material Traceability

Body and end piece castings are marked with heat codes providing traceability to the chemical analysis and material test reports performed at the foundry. CMTR's (Certified Material Test Reports) are available upon request.

## Lockable Handle

All Sharpe Series 86 ball valves supplied with lever handles are designed to permit locking the valve in either the open or closed position.

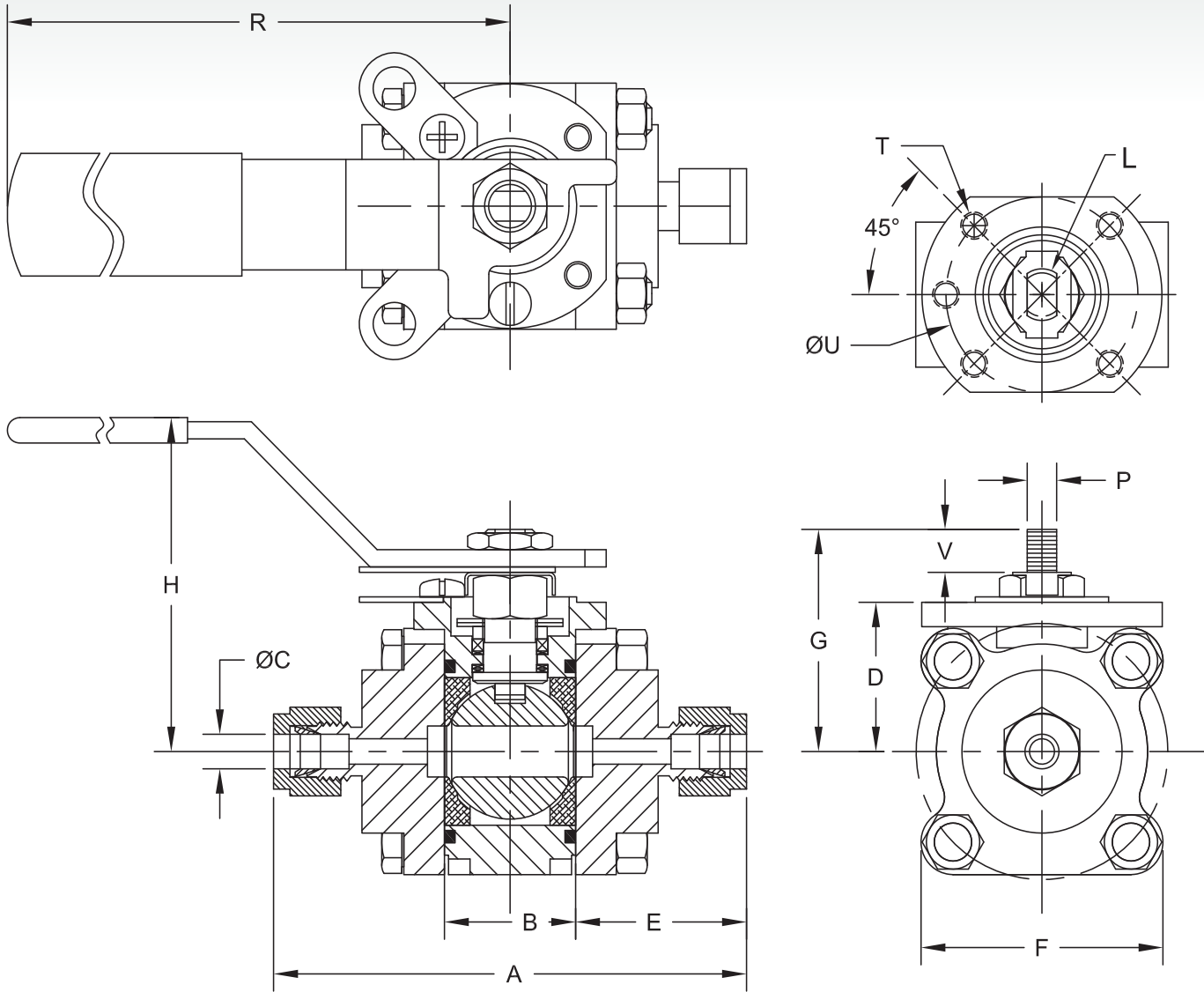
# Parts & Materials



No.	Part Name	Qty	Material
1	Body	1	316L Stainless Steel ASTM ASTM351 CF3M
2	Pipe Ends	2	316L Stainless Steel ASTM ASTM351 CF3M
3	Ball	1	316L Stainless Steel
4	Stem	1	316L Stainless Steel
5	Valve Seat	2	PTFE RTFE TFM PTFE Cavity Filler
6	Valve Seal	2	Teflon PTFE TFM
7	Thrust Bearing	1	Nova
8	Thrust Bearing	1	Peek/PTFE-TFM
9	Stem Packing	2	Nova/PTFE-TFM
10	Seal Protector	1	Peek/PTFE-TFM

No.	Part Name	Qty	Material
11	Gland Packing	1	300 Series Stainless Steel
12	Belleville Washer	4	300 Series Stainless Steel
13	Packing Nut	1	300 Series Stainless Steel
14	Lock Cover	1	300 Series Stainless Steel
15	Lower Lock Latch	1	300 Series Stainless Steel
15B	Upper Lock Latch	1	300 Series Stainless Steel
15C	Latch Bolt	1	300 Series Stainless Steel
16	Handle	1	300 Series Stainless Steel
17	Lock Washer	1	300 Series Stainless Steel
18	Handle Nut	1	300 Series Stainless Steel
19	Body Bolts	4	304 Stainless Steel
20	Nuts	4	316 Stainless Steel
21	Stop Pin	1	300 Series Stainless Steel
23	Front Ferrule	2	316 Stainless Steel
24	Back Ferrule	2	316 Stainless Steel
25	Nut	2	316 Stainless Steel, Silver Plated

# Dimensions

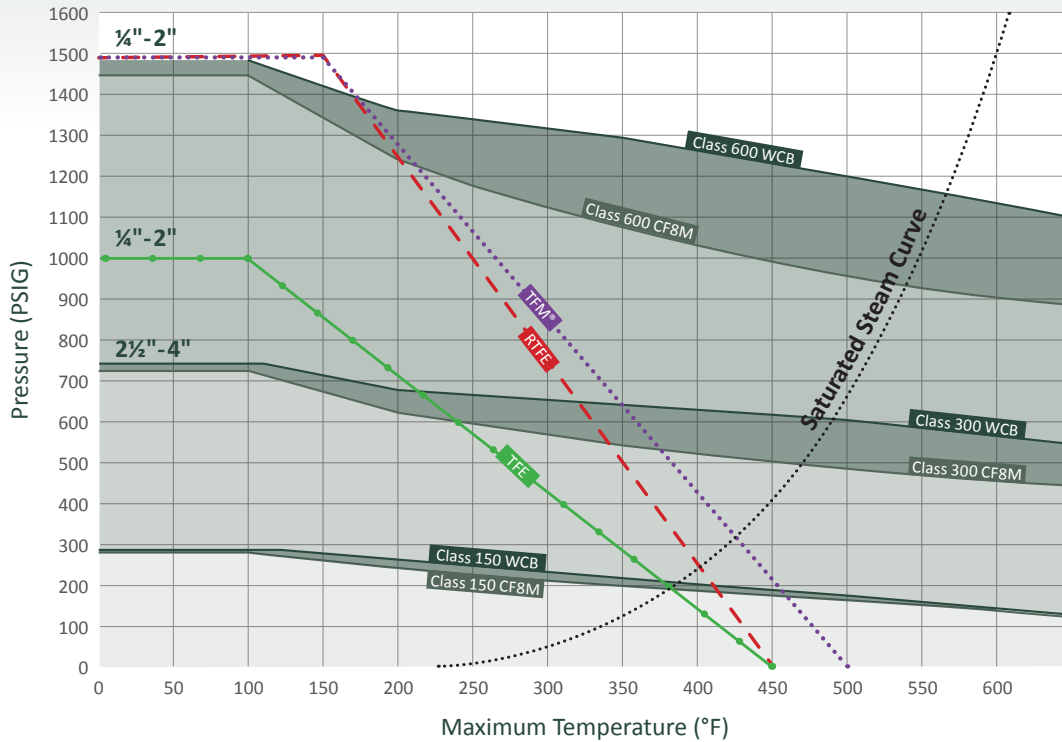


Dimensions (Inches)

Size	A	B	C	D	E	F	G	H	L	P	R	T	U	V
1/4	3.59	0.97	0.256	1.10	1.31	1.75	1.65	2.23	3/8-24	.218/.220	4.50	M5x.8	1.42(F03)	0.45
3/8	3.65	0.97	0.381	1.10	1.37	1.75	1.65	2.23	3/8-24	.218/.220	4.50	M5x.8	1.42(F03)	0.45
1/2	3.91	0.97	0.506	1.10	1.47	1.75	1.65	2.23	3/8-24	.218/.220	4.50	M5x.8	1.65(F04)	0.45
3/4	4.13	1.05	0.756	1.16	1.54	2.05	1.65	2.28	3/8-24	.218/.220	4.50	M5x.8	1.65(F04)	0.39
1	5.12	1.54	1.006	1.62	1.79	2.42	2.36	2.84	7/16-20	.293/.295	5.79	M5x.8	1.97(F05)	0.65

# Technical Information

Pressure - Temperature Chart



## How to Order

Fig: 3/4 - 86 - 6 - 6 - R - CE - PP5

Description: 3/4" - Series 86 - Stainless Steel - Stainless Steel - RTFE - Clamp - Purge Port Tube

Size	Series	Body	Ball & Stem	Seat	Seal	Ends	Options
1/4 3/8 1/2 3/4 1	86	6 316L Stainless Steel	6 316L Stainless Steel	T PTFE M TFM® R RTFE C PTFE Cavity Fillers	T PTFE M PTFE-TFM	IE Instrumentation End TE Threaded Ends (NPT)*	OH Oval Handle X Oxygen Clean* (as per Mfg's Standards) SF Silicone Free* OH Oval Handle

Due to continuous development of our product range, we reserve the right to change the dimensions and information for this product as required.

\*POA



SMITH-COOPER®  
INTERNATIONAL

Toll Free 877-774-2773 Fax 708-562-9250

www.smithcooper.com • www.sharpevalves.com



Los Angeles, CA • Chicago, IL • Atlanta, GA • Vancouver, WA • Houston, TX